

RK200-07 Ultraviolet(UV) Radiation Sensor

RK200-07 UV Radiation Sensor is a precision instrument used to measure the atmosphere of the sun's ultraviolet radiation (UVA & UVB), supporting the product related information acquisition instrument use can provide public concern: the UV index, UV erythema measurement, on the health effects of the UV and UV special biology and chemistry, highly meteorology, industry, construction, medical attention, are widely used in the exposure caused erythema dose, integrated environment ecological effect, the study of climate change and ultraviolet radiation monitoring and forecast.

FEATURES

- Light weight
- No moving parts, no maintenance, can work in any altitude
- High sensitivity
- Low power consumption
- Long service life



APPLICATIONS

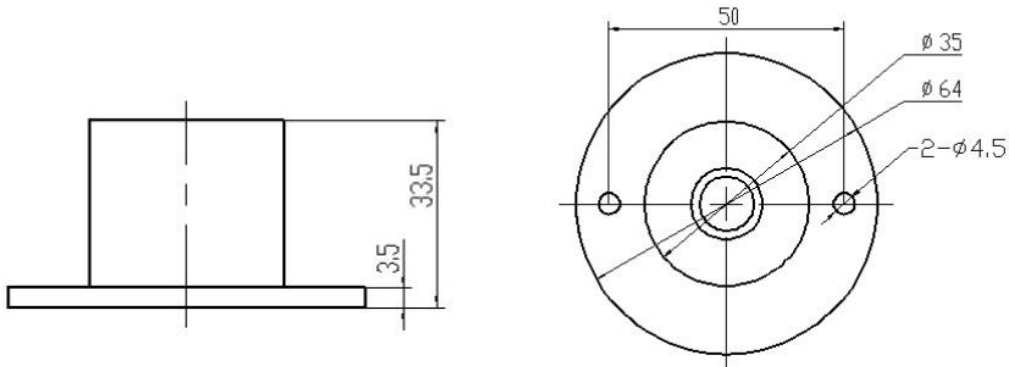
- Tourism weather
- Breeding industry
- Construction materials aging monitoring
- Medical research
- Environmental monitoring

SPECIFICATIONS

Item	SPECIFICATIONS
Spectral range	280~400nm
Supply	5V,12-24VDC
Range	0-200W/m ² , 0-200uW/cm ² , 0-15UV index
Output	0-2V,4-20mA(2 wires),0-5V,RS485
Accuracy	±5% rdg
Response time	≤1s
Cosine correction	≤±4%(Solar elevation angle=30°)
Non-linear	≤±3%
Temperature effect	±0.08%/°C
Stability	≤±2%/year
Operating Temperature	-40°C-+85°C
Ingress Protection	IP65
Weight(unpacked)	220g
Shell material	Aluminum alloy
Storage Condition	10°C-60°C@20%-90%RH

DIMENSION


Unit:mm



PARAMETER SELECTION TABLE

Remark	Series	Type	Supply	Range	Output	Cable Length	
RK							
	200						
		07					
			A				5V
			B				12-24V
			X				Other
				A			0-200W/m ² (280-400nm)
				B			0-200uW/cm ² (280-400nm)
				C			0-15UV index(280-400nm)
					A		4-20mA
					B		0-2V
					C		0-5V
					D		RS485
					X		Other
						1500	Units:mm (typ)
						3000	Units:mm
						...	Units:mm


Example: RK200-07BAA1500: Supply:12-24V, Range:0-200W/m²(280-400nm), Output:4-20mA,Cable Length:1.5m.

 Complies with applicable CE directives.

Specifications subject to change without notice. Version 1.0
Copyright © 2015 Hunan Rika Electronic Technology Co.,Ltd

Hunan Rika Electronic Technology Co., Ltd

Add:No 499# of Yingxin Road,
Yuhua District,Changsha,
Hunan,China

 +86-731-85132979

 info@rikasensor.com

 www.rikasensor.com.cn