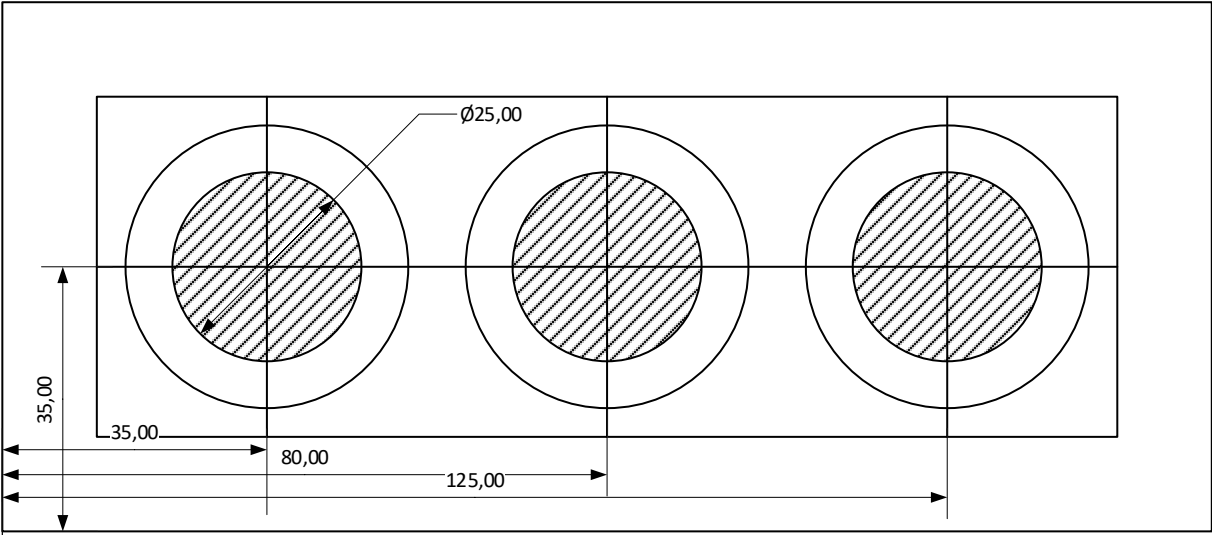


# Bottom of the housing

## Rittal AE 1035.500

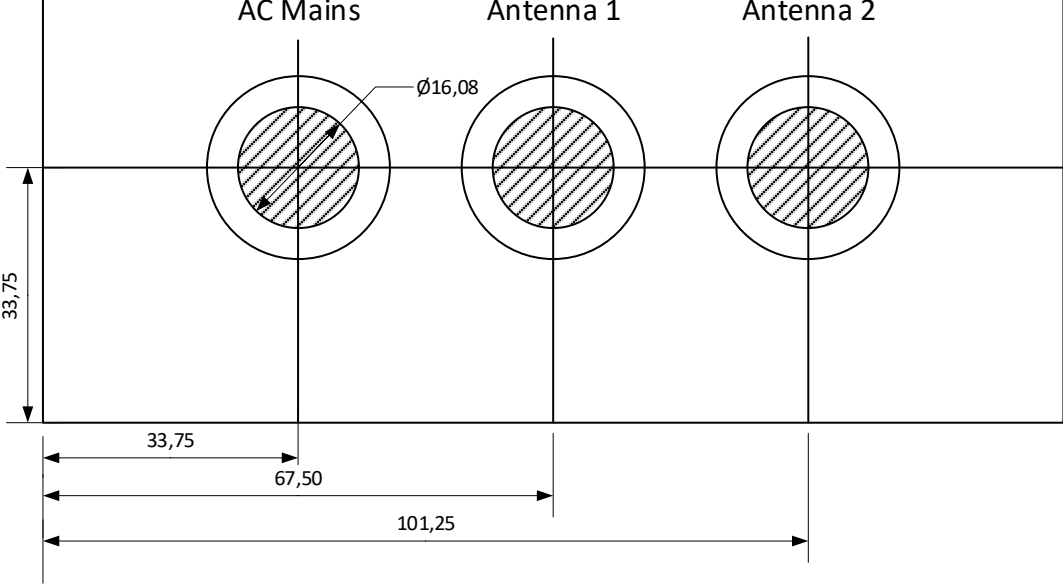
Drillings for cable gland M25

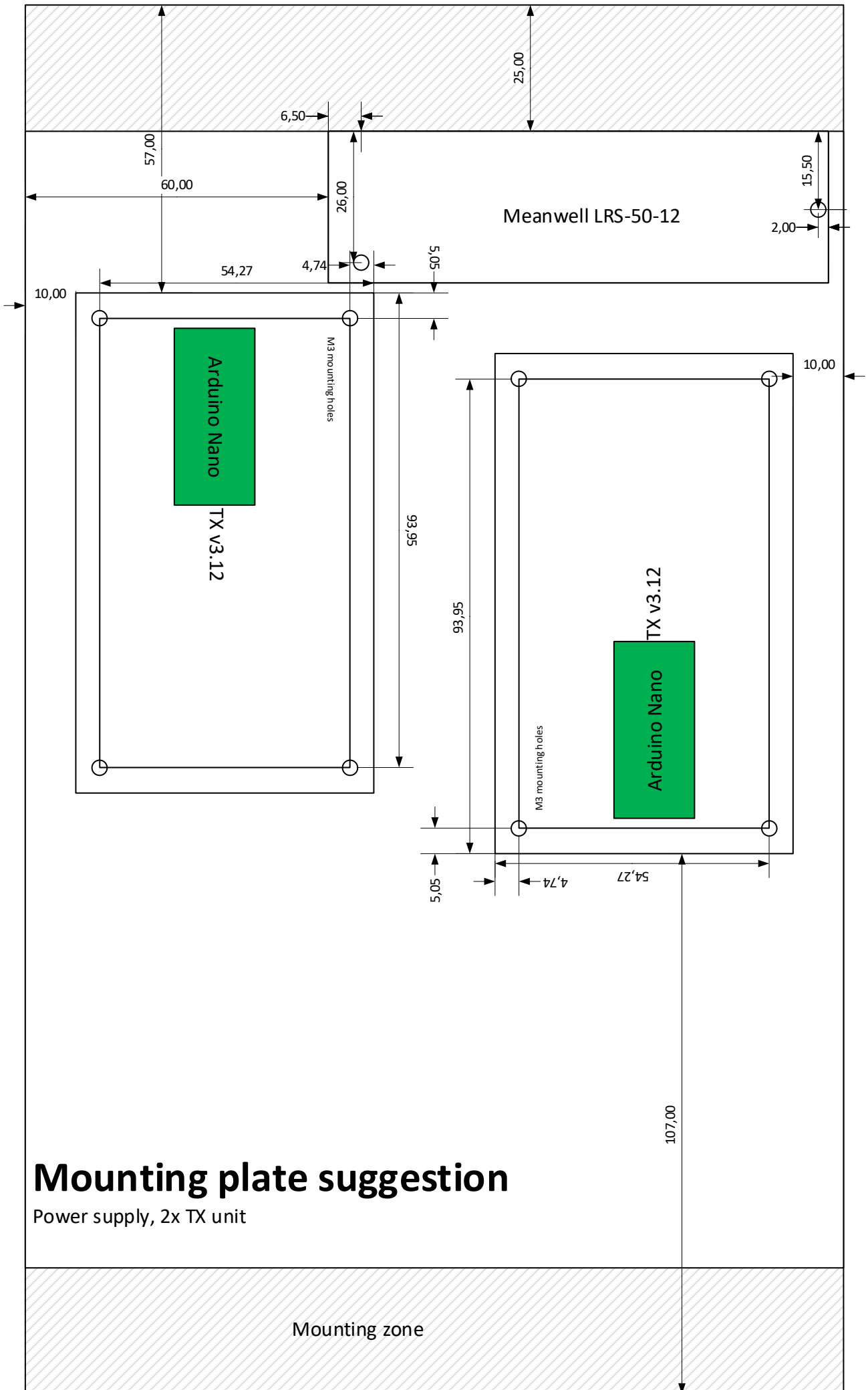
With 3 feed through per gland there are 9 wires possible

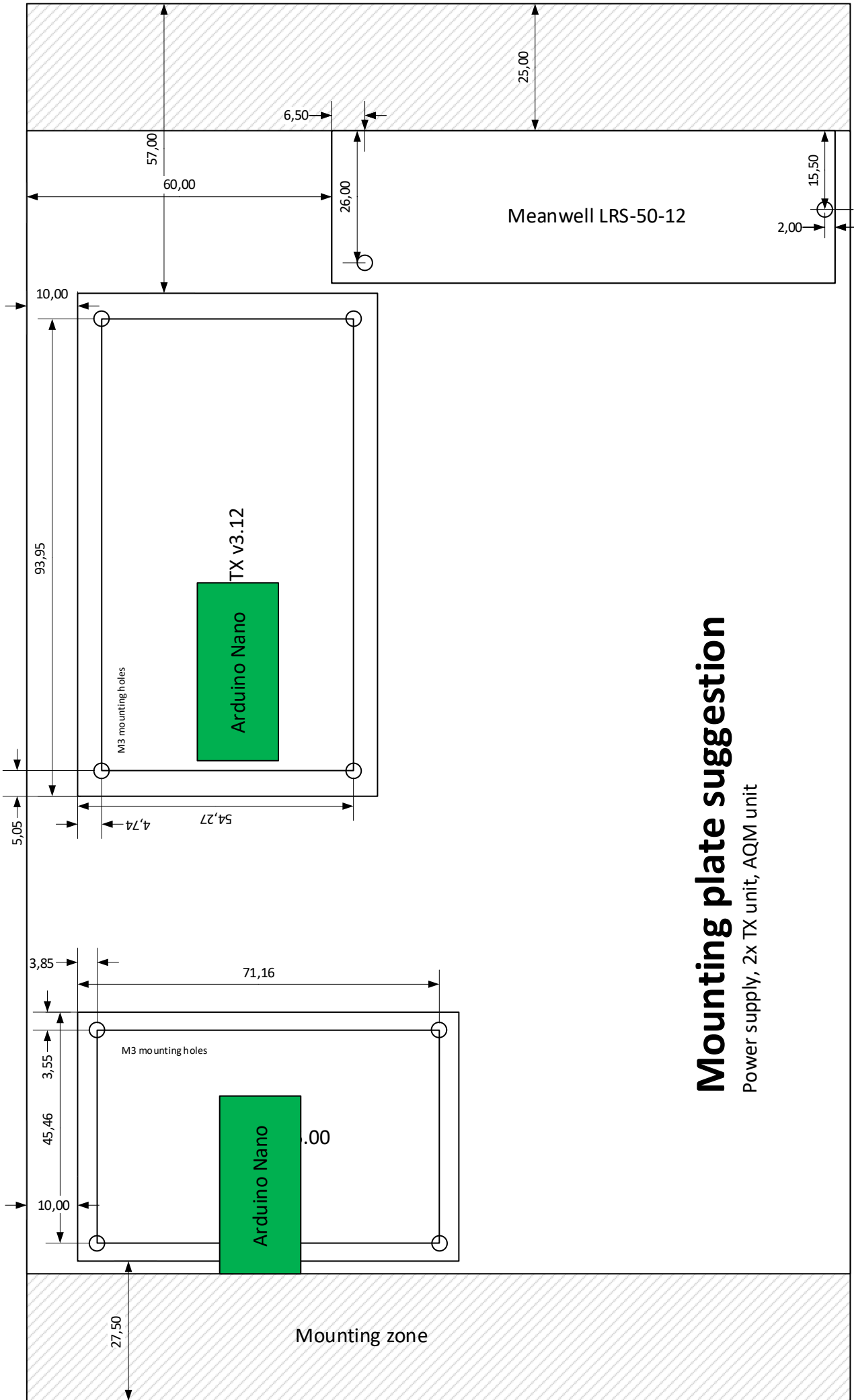


# Side of the housing

Drillings for cable gland M16  
With 2 holes for antennas and one hole for AC or solar cell input

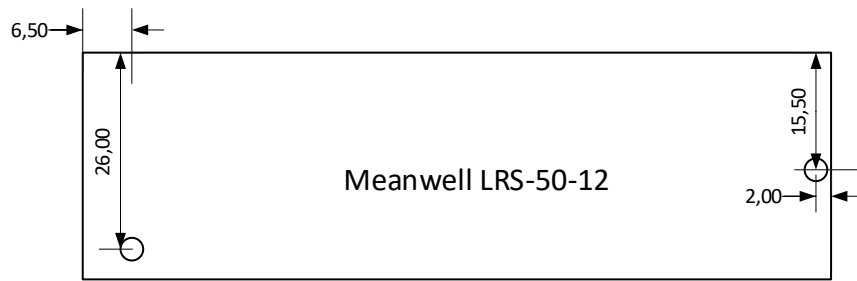
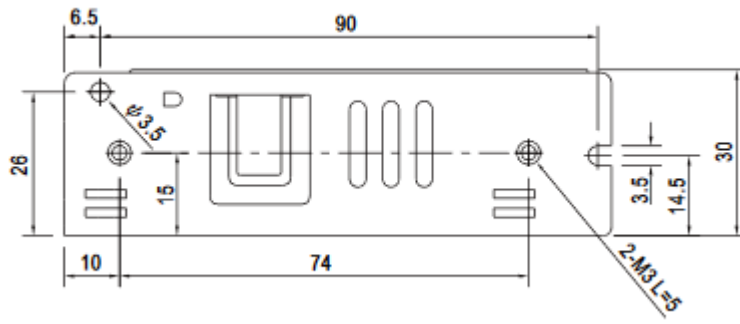


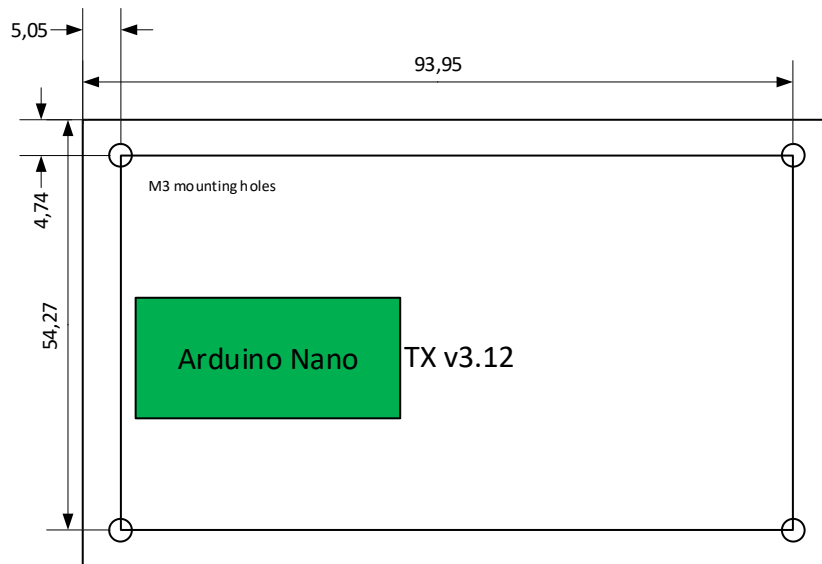
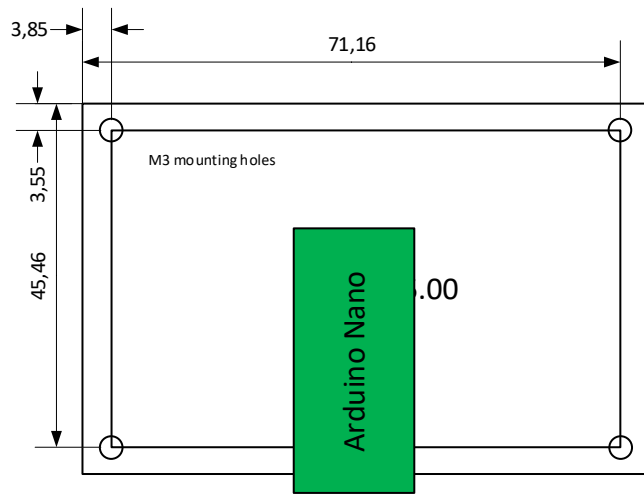




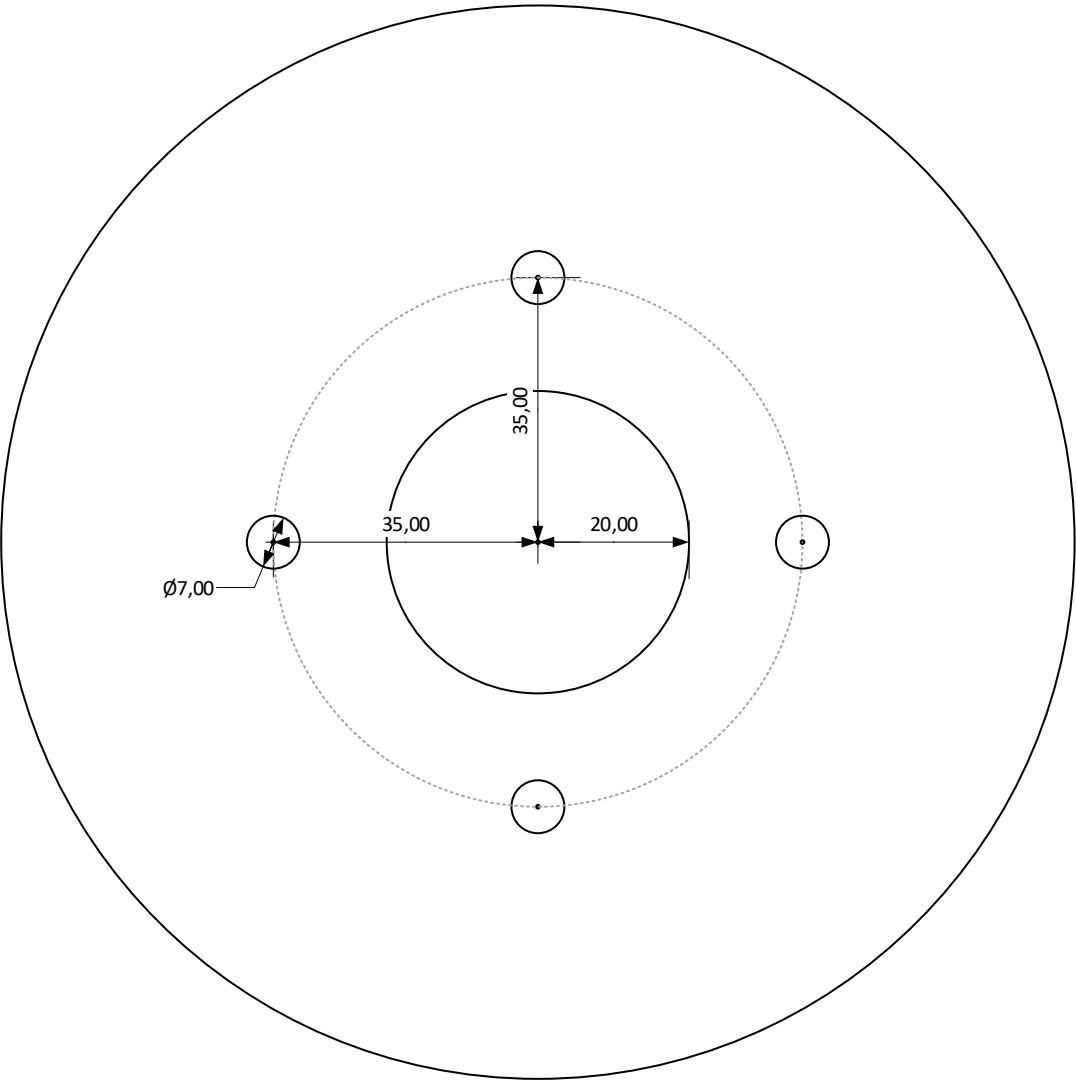
# Mounting plate suggestion

Power supply, 2x TX unit, AQM unit

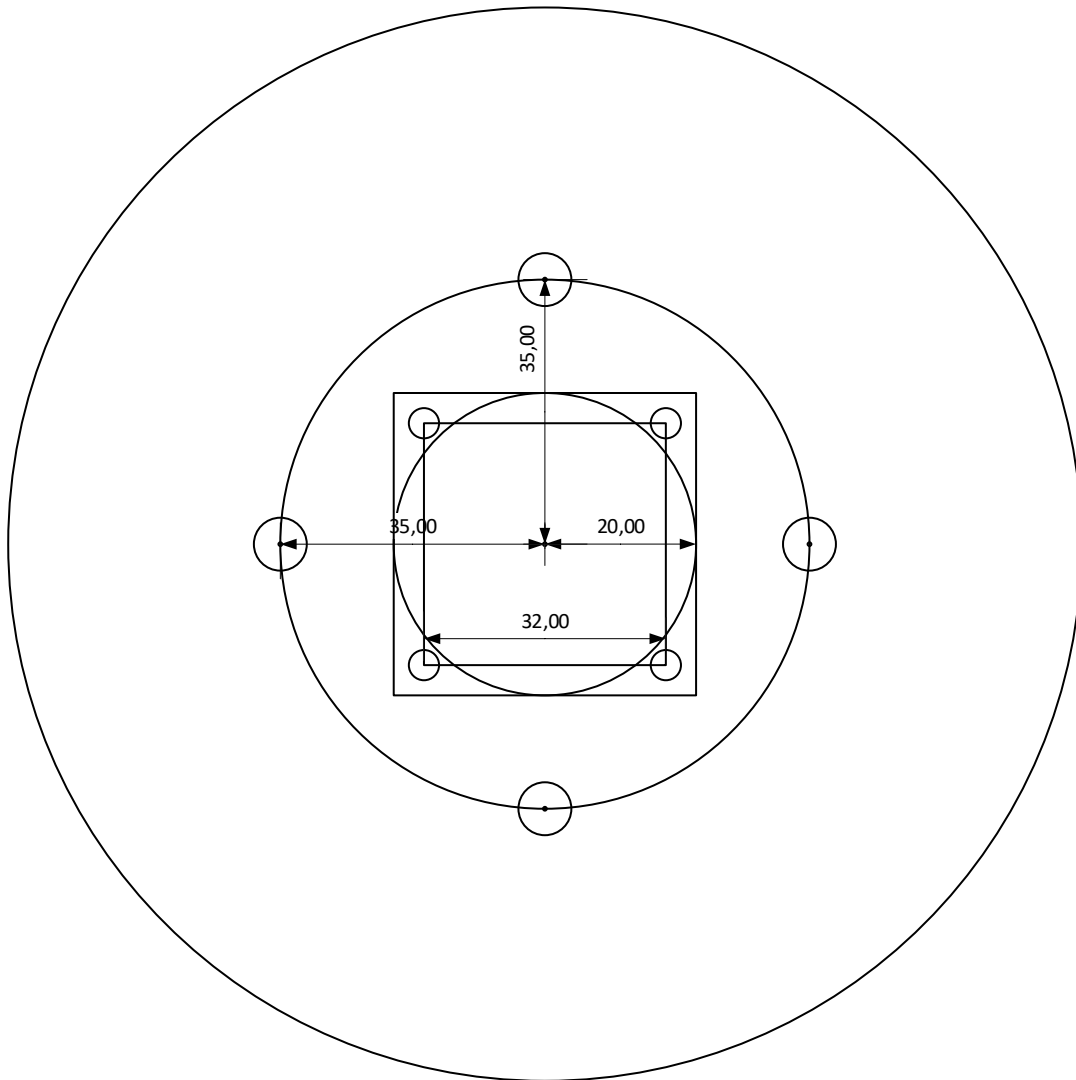




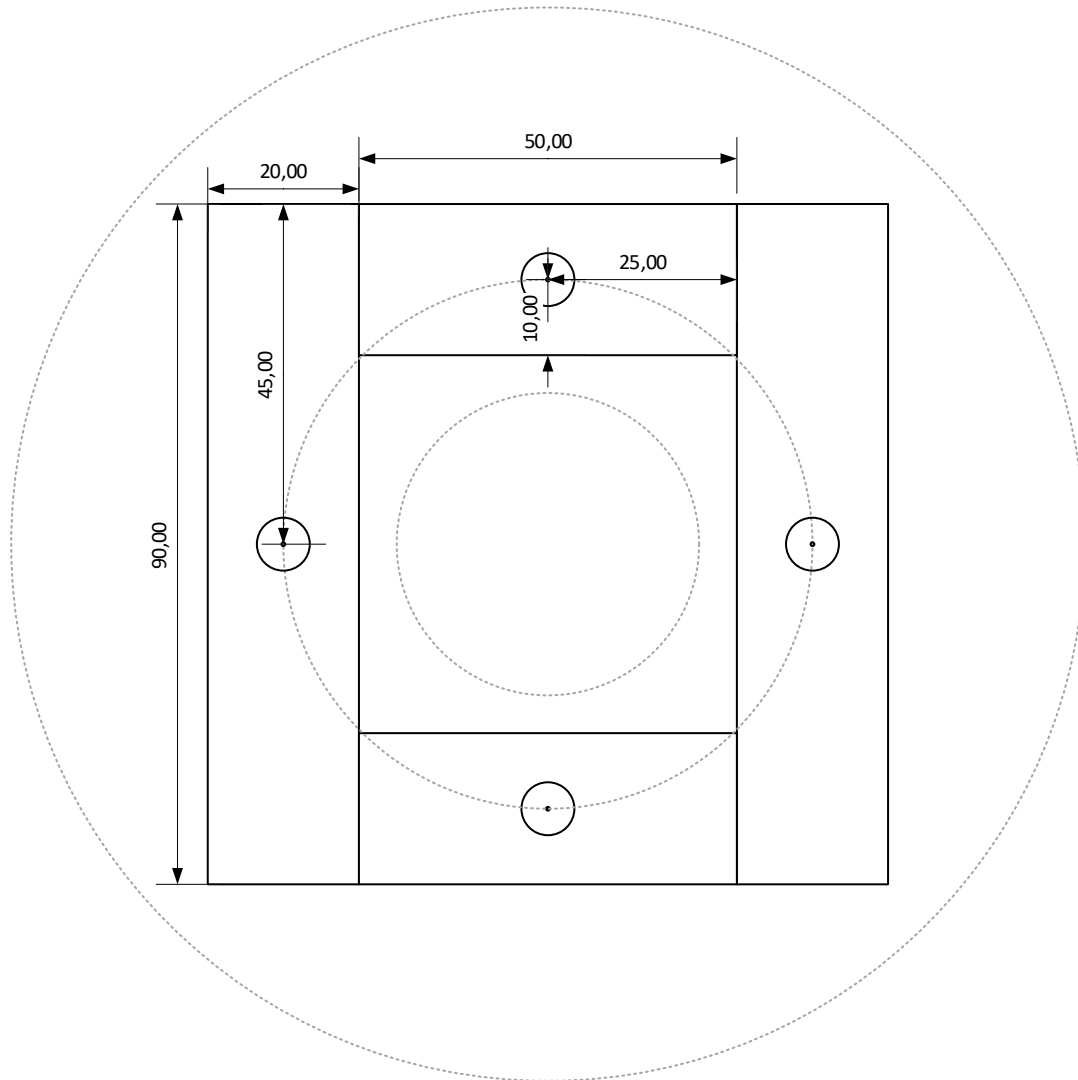
# Body part saucer radiation shield



# Body part saucer radiation shield with fan



# Body part saucer radiation shield mounting part



# Top part saucer radiation shield

